

# EL 710 EC O 01

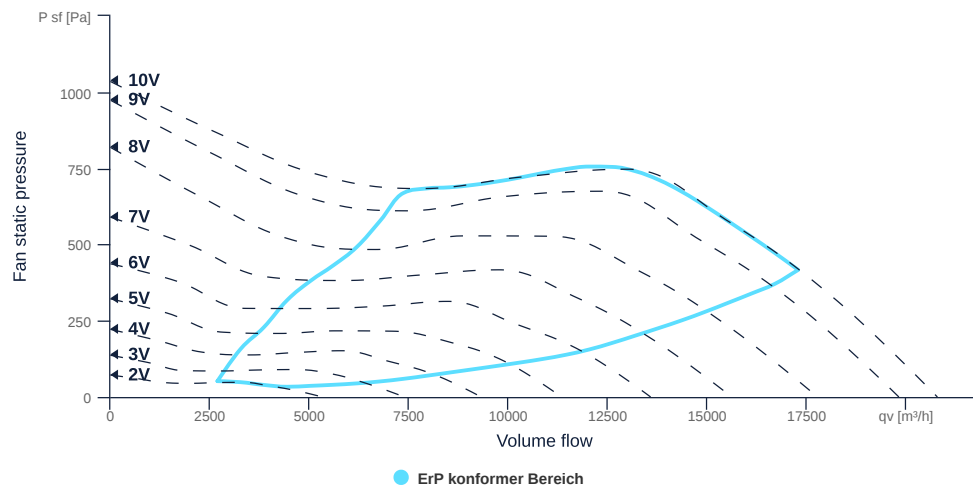
163102

- Innovative, high-efficiency diagonal fan
- Optimally tuned, CFD-optimized aerodynamics
- The benchmark for efficiency since 2007
- High efficiency EC motor, steplessly controllable
- Necessary EC-Controller included in delivery
- Conveyed medium temperature up to 60 °C in continuous operation
- Housing made of aluminum



## FAN CURVES

Name	Value	Unit
Volume flow	0	m³/h
Pressure	0	Pa



to the product detail page

## GENERAL DATA

Name	Value	Unit	Formula symbol
Labeling	CE, UKCA		
Duct size	-		WxH <sub>duct</sub>
Pipe connection size (DN)	DN710		DN
Rated voltage (entire device)	400	V	U <sub>rated</sub>
Phases (entire device)	3~		phase
Electrical protection (entire device)	6 A		fuse
Housing material	Aluminium		mat <sub>casing</sub>
Impeller material	Aluminium		mat <sub>impeller</sub>
Weight	56.5	kg	m
Fan type	Diagonal		Fan <sub>type</sub>
Category / Installation situation	B		cat

## MAXIMAL DATA

Name	Value		Unit	Formula symbol
	50 Hz	60 Hz		
Max. power consumption (device)	3830	3830	W	P <sub>ed, max</sub>
Max. operating current (device)	5.9	5.9	A	I <sub>ed, max</sub>
Max. speed	1500	1500	1/min	n <sub>max</sub>
Max. stat. efficiency	67.3	67.3	%	η <sub>es</sub>
Max. fan efficiency	72.2	72.2	%	η <sub>e</sub>
Max. flowrate	20780	20780	m <sup>3</sup> /h	q <sub>v, max</sub>
Max. stat pressure	1035	1035	Pa	p <sub>sf, max</sub>
Max. medium temperature	60	60	°C	T <sub>m, max</sub>
Max. environment temperature	60	60	°C	T <sub>amb, max</sub>
Min. environment temperature	-20	-20	°C	T <sub>amb, min</sub>



to the product detail page

## MOTOR DATA

Name	Value		Unit	Formula symbol
	50 Hz	60 Hz		
Rated frequency (device)		50		f
Motor type		EC		phase
Control type		stepless-controlled		ctrltype
Installation type		IRM (In)		install
Rotation direction		right		rotation
Isolation class		ISO F		ISOclass
Motor-protection		TEC		protectmotor
Protection class		IP55		IPmotor
Is pole-changeable		No		polexch
Type of power supply		AC 3~		pwrsupmotor
Rated voltage	400		V	U <sub>rated, f1</sub>
Rated current	8.5		A	I <sub>rated, f1</sub>
Shaft power	4000		W	P <sub>out, f1</sub>
Speed	1500		1/min	n <sub>f1</sub>
Efficiency	91.8		%	η <sub>m, f1</sub>
UL-Certification motor		None		ULcert

## ERP DATA (LOT11)

Name	Value	Unit	Formula symbol
Speed at the energy efficiency optimum	1501	1/min	n <sub>opt</sub>
Efficiency level	74.6	%	N
Efficiency category	total		catefficiency
Input power of the motor at the energy efficiency optimum	3.77	kW	P <sub>e, opt</sub>
Overall efficiency	79.1	%	η <sub>ges</sub>
Measurement category	B		meas cat
Fan pressure at energy efficiency optimum	705	Pa	p <sub>f, opt</sub>
Flowrate at energy efficiency optimum	13940	m³/h	Q <sub>v, opt</sub>

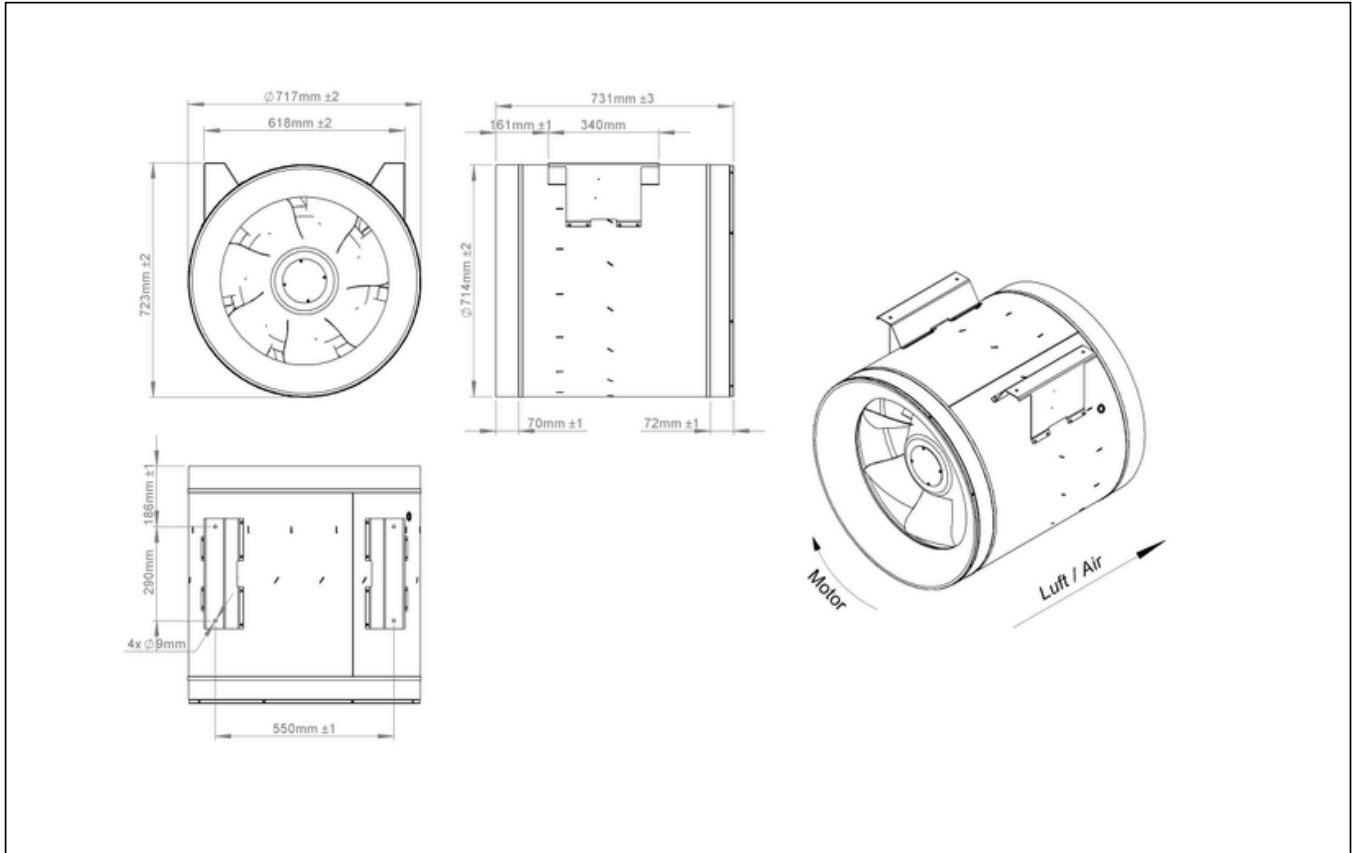


to the product detail page

# EL 710 EC O 01

163102

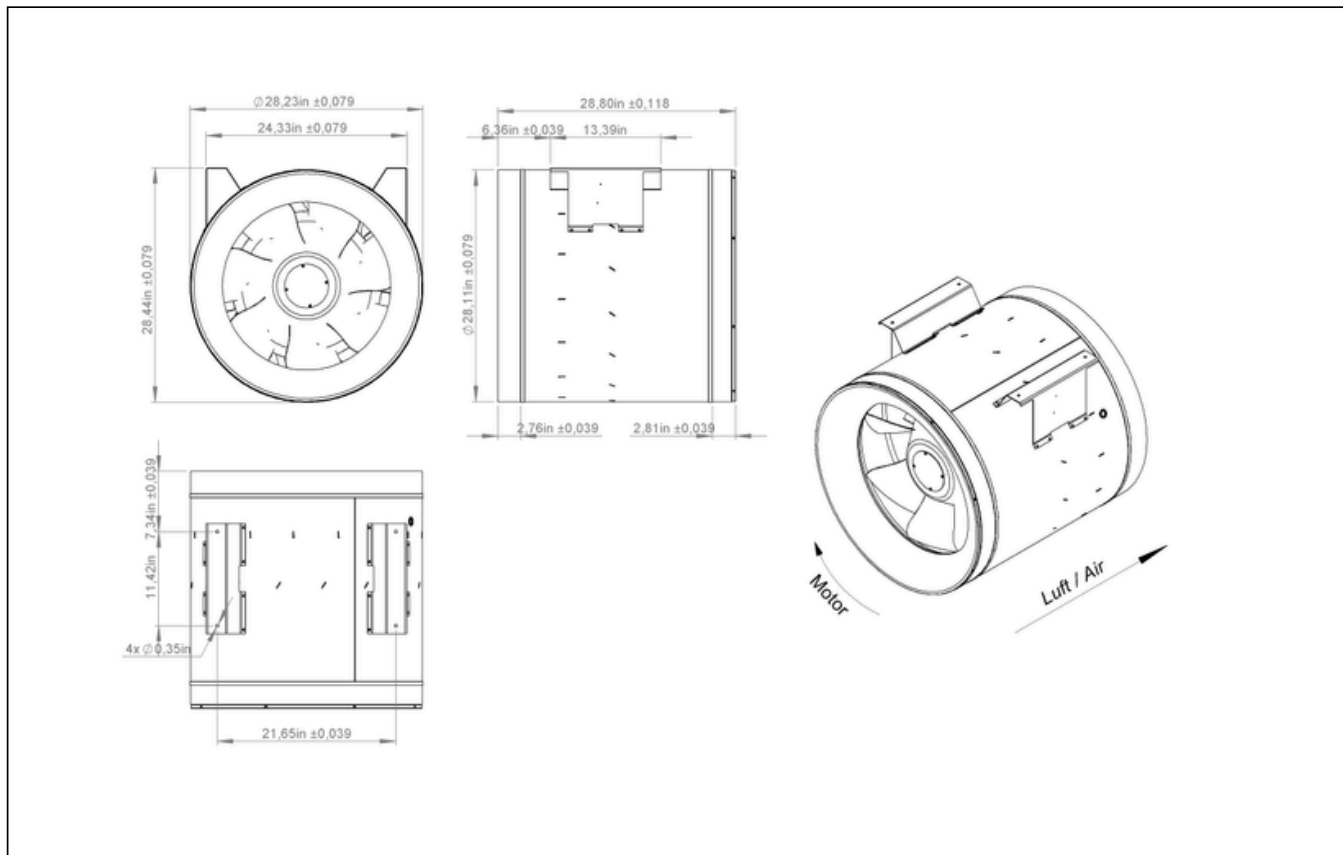
## CIRCUIT DIAGRAMS / DIMENSIONAL DRAWINGS



to the product detail page

# EL 710 EC O 01

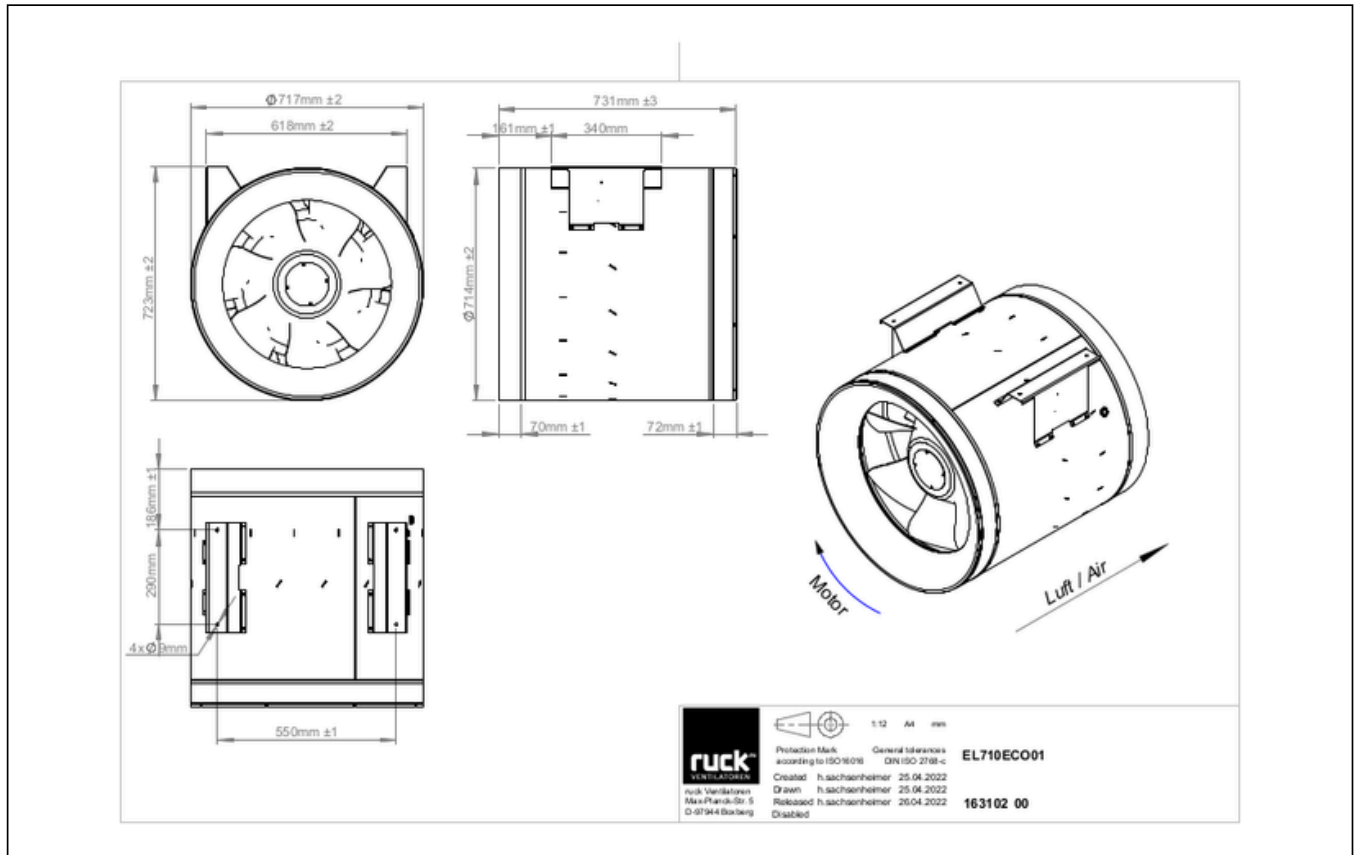
163102



to the product detail page

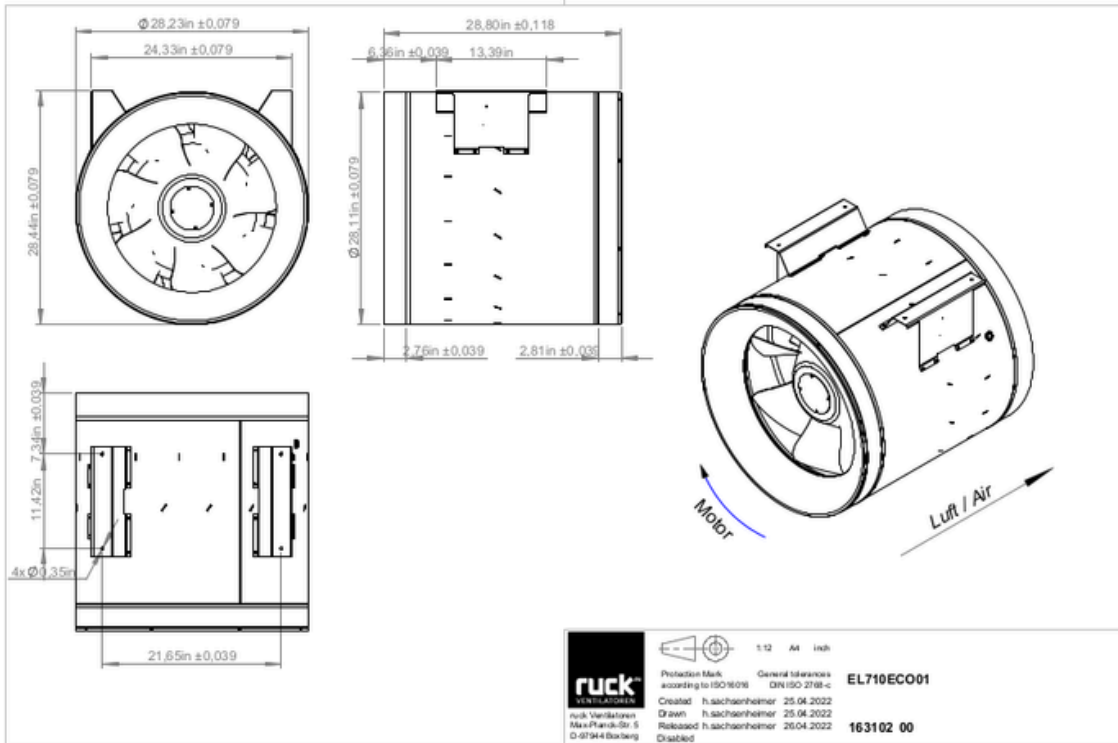
# EL 710 EC O 01

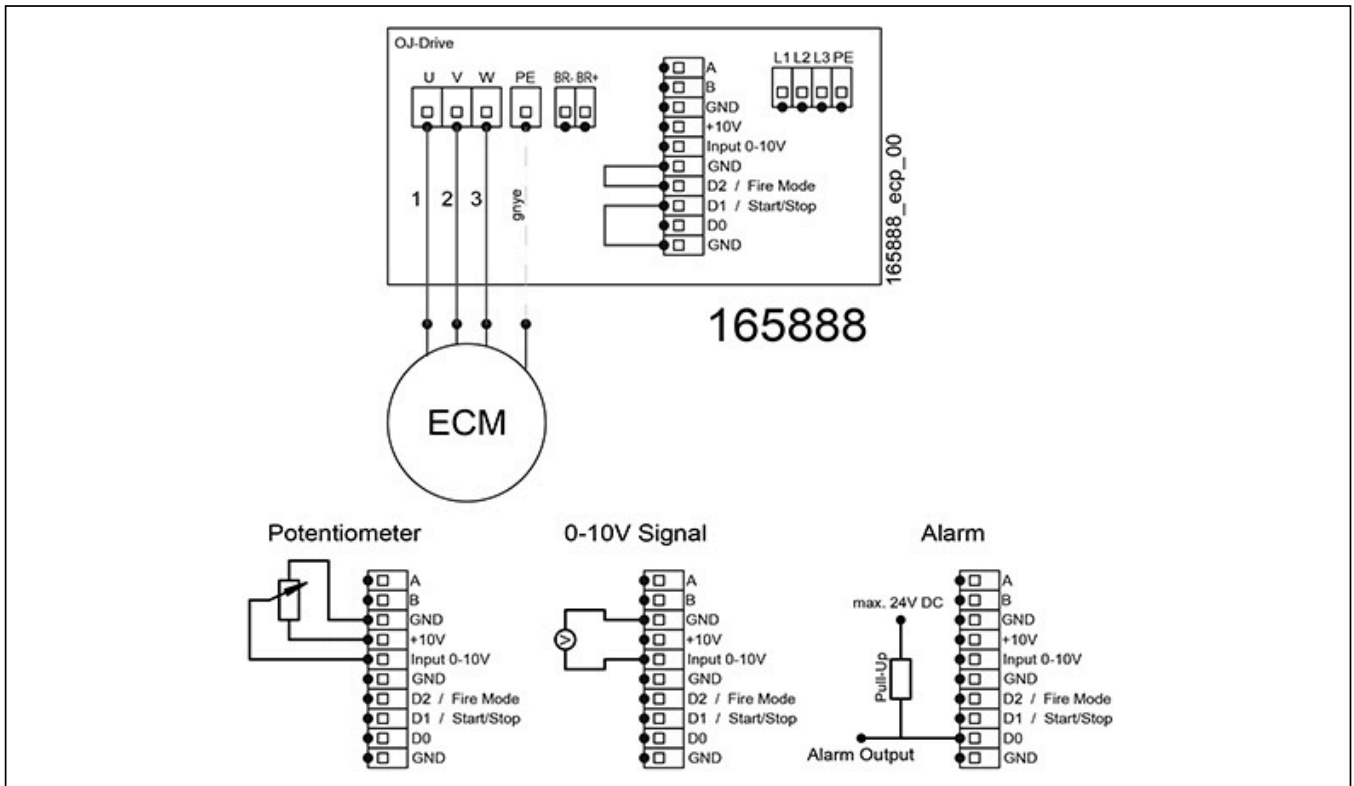
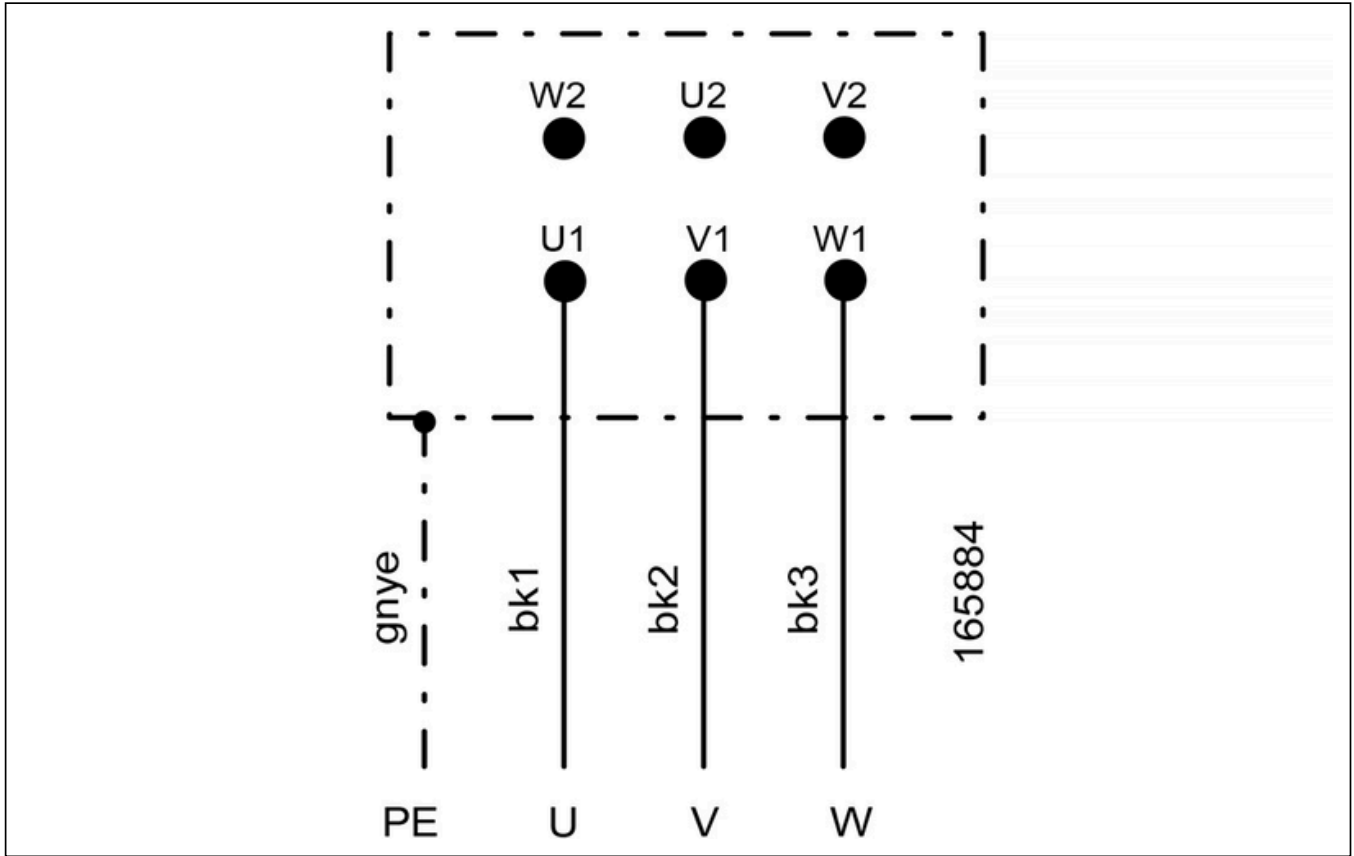
163102



# EL 710 EC O 01

163102







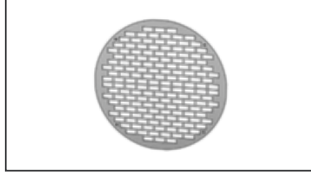
## MECHANICAL ACCESSORIES

VM 710 | 119498



- Fast clamps for sound decoupling and sealing
- Galvanized steel sheet, 5 mm Neopren gasket
- 1 Pack = 2 pieces

SG 710 02 | 119414



- Inlet protection grille for Etaline
- Galvanized steel sheet

## ELECTRICAL ACCESSORIES

GS 03 | 107633



- Device switch
- $U_{max} = 400\text{ V}$ ,  $I_{max} = 25\text{ A}$
- Switching capacity  $400\text{ V } 3\sim = 7,5\text{ kW}$
- Protection class IP 55

MTP 20 | 128146



- Potentiometer 10 kΩ
- Switching contact 1A/250V AC - 2,5A/12V DC
- Max. ambient temperature 50 °C
- VDE

MTP 30 | 143289



- Stepped potentiometer 10 kΩ
- Step 1 + 2 settable 10 % - 100 % Vdc
- Step 3 100 % Vdc
- Supply voltage +10 Vdc

MTP 40 | 147359



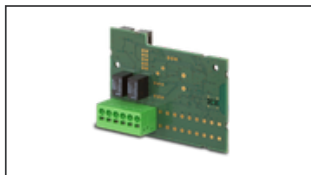
- Potentiometer 10 kΩ
- Connection in terminal box
- Max. ambient temperature 50 °C
- PU: 20 pieces

CON P1000 | 115259



- Constant pressure control
- Actual value display possible via optional control unit
- Output 0-10 V DC + FC enable + setpoint reached
- Pressure setting by means of decade switch

OJ RM 02 | 141890



- Extension board Relais Modul
- For EC controller for alarm and operating message
- Electrical connection through 6 spring terminals (max. 2.5 mm<sup>2</sup>)
- Digital relay outputs: 2 potential-free changeover relays, max. 1 A, 30 V DC / 24 V AC

MTP 50 | 168752



- Potentiometer with multifunction output
- 230 VAC ±10 % / 50-60 Hz
- Selectable output: 1-10 VDC / 2-20 mA / 10-100 % PWM
- Min. and max. output value adjustable

